

Service Manual

● GM-H120/UC



ORDER NO.
CRT1377

BRIDGEABLE FOUR-CHANNEL POWER AMPLIFIER

GM-H120

GM-3400

UC

EW

CONTENTS

1. SPECIFICATIONS	2	9. CONNECTION DIAGRAM (UC)	22
2. CONTROLS AND THEIR USE (UC)	3	10. SCHEMATIC CIRCUIT DIAGRAM (UC)	25
3. CONNECTING THE UNITS (UC)	4	11. SCHEMATIC CIRCUIT DIAGRAM (EW)	28
4. CONTROLS AND THEIR USE (EW)	9	12. CONNECTION DIAGRAM (EW)	31
5. CONNECTING THE UNITS (EW)	10	13. EXPLODED VIEW	34
6. DISASSEMBLY	18	14. PACKING METHOD	37
7. CIRCUIT DESCRIPTION	19	15. ELECTRICAL PARTS LIST	38
8. ADJUSTMENT	20		

11. SCHEMATIC CIRCUIT DIAGRAM (GM-3400/EW)

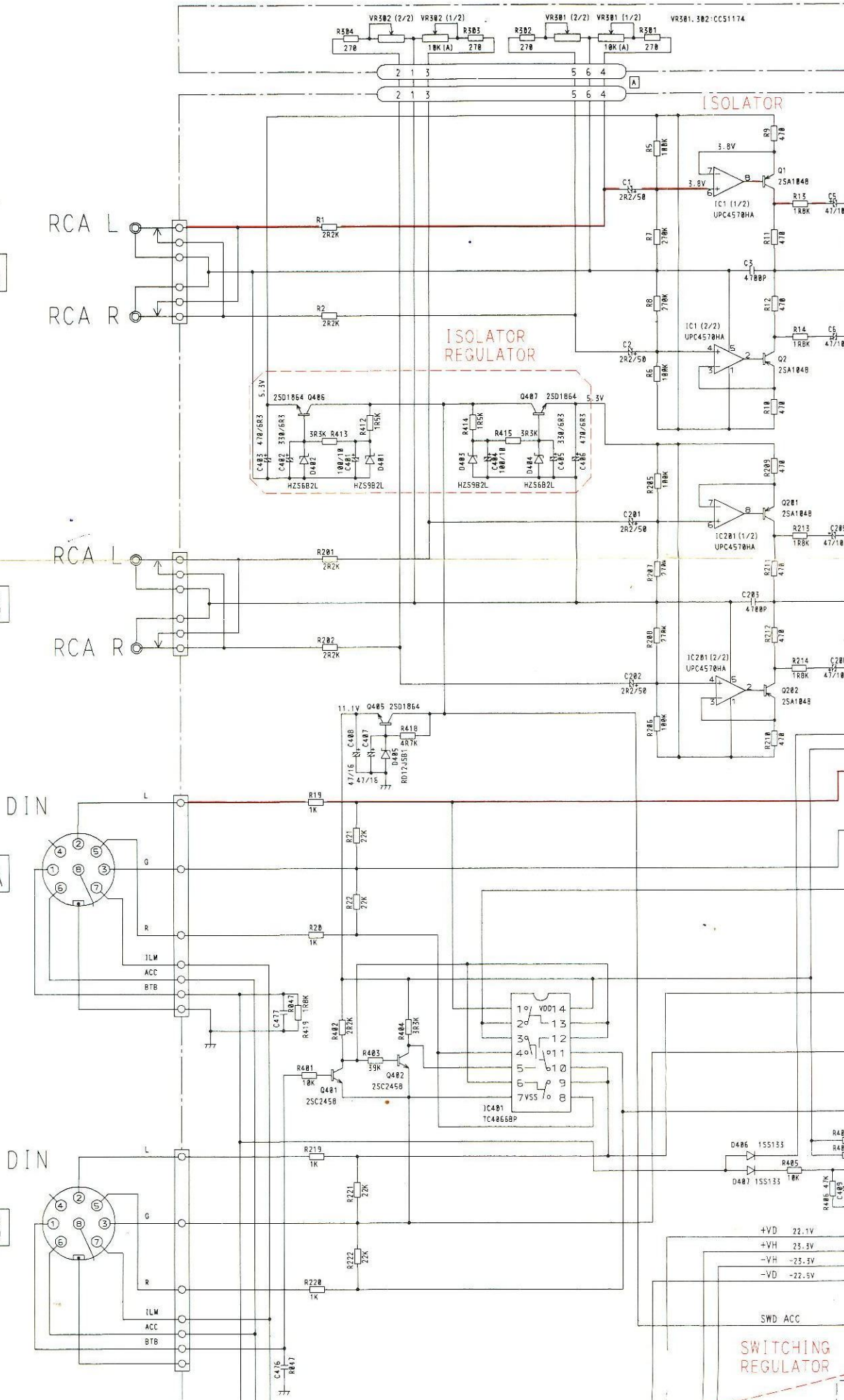
VOLUME UNIT

IN PUT A

IN PUT B

IN PUT A

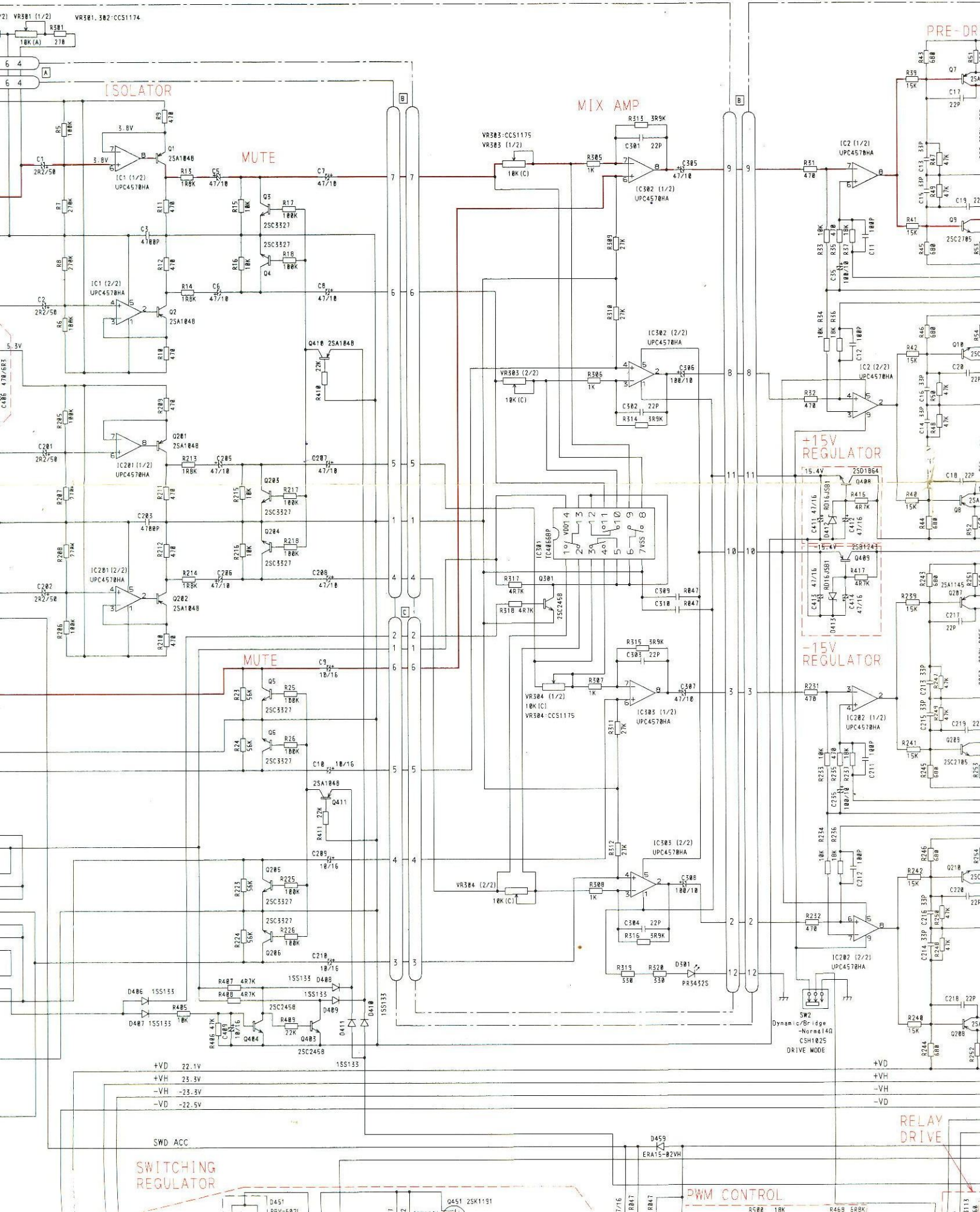
IN PUT B



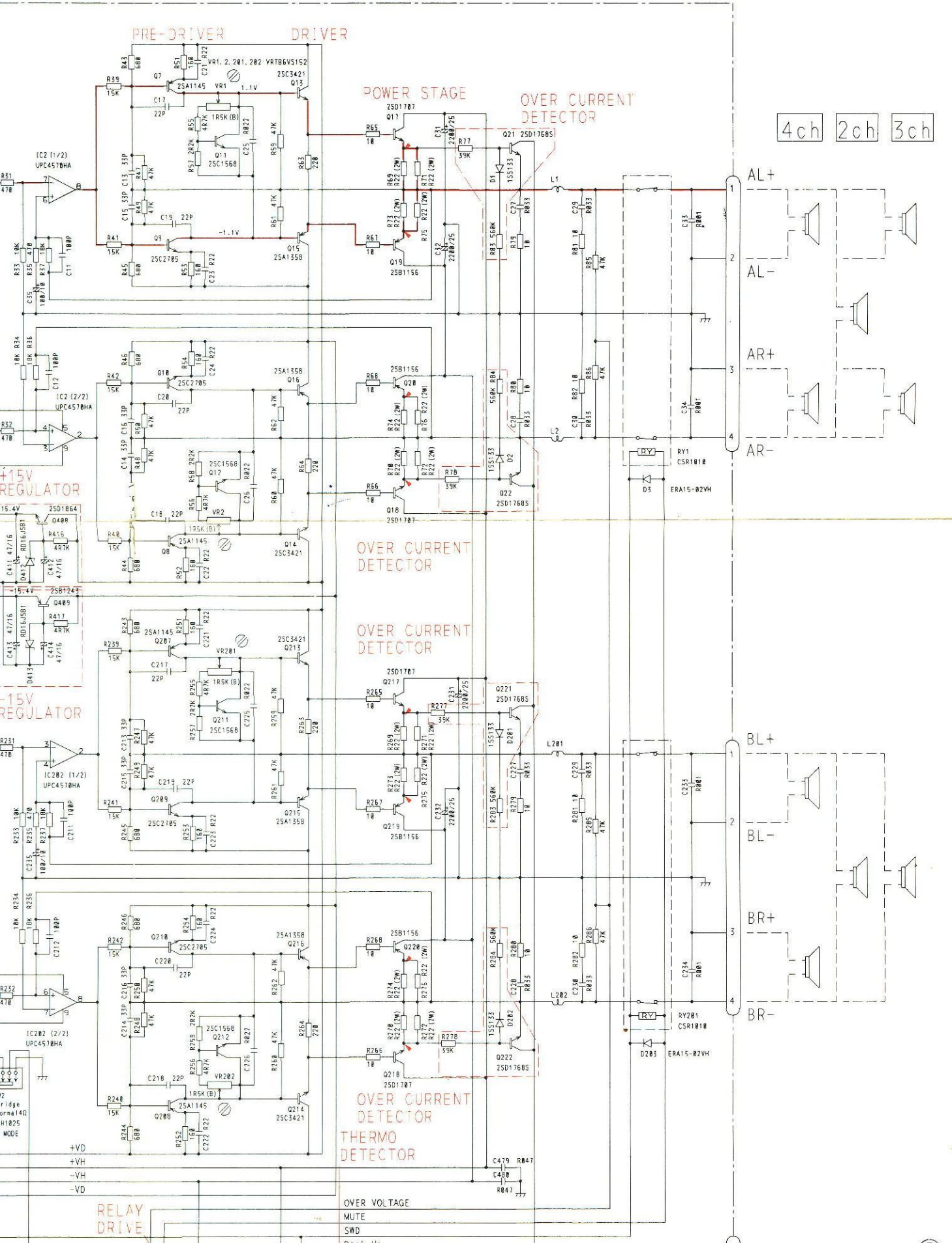
+VD 22.1V
+VH 23.3V
-VH -23.3V
-VD -22.5V

SWD ACC
SWITCHING REGULATOR

AMP UNIT



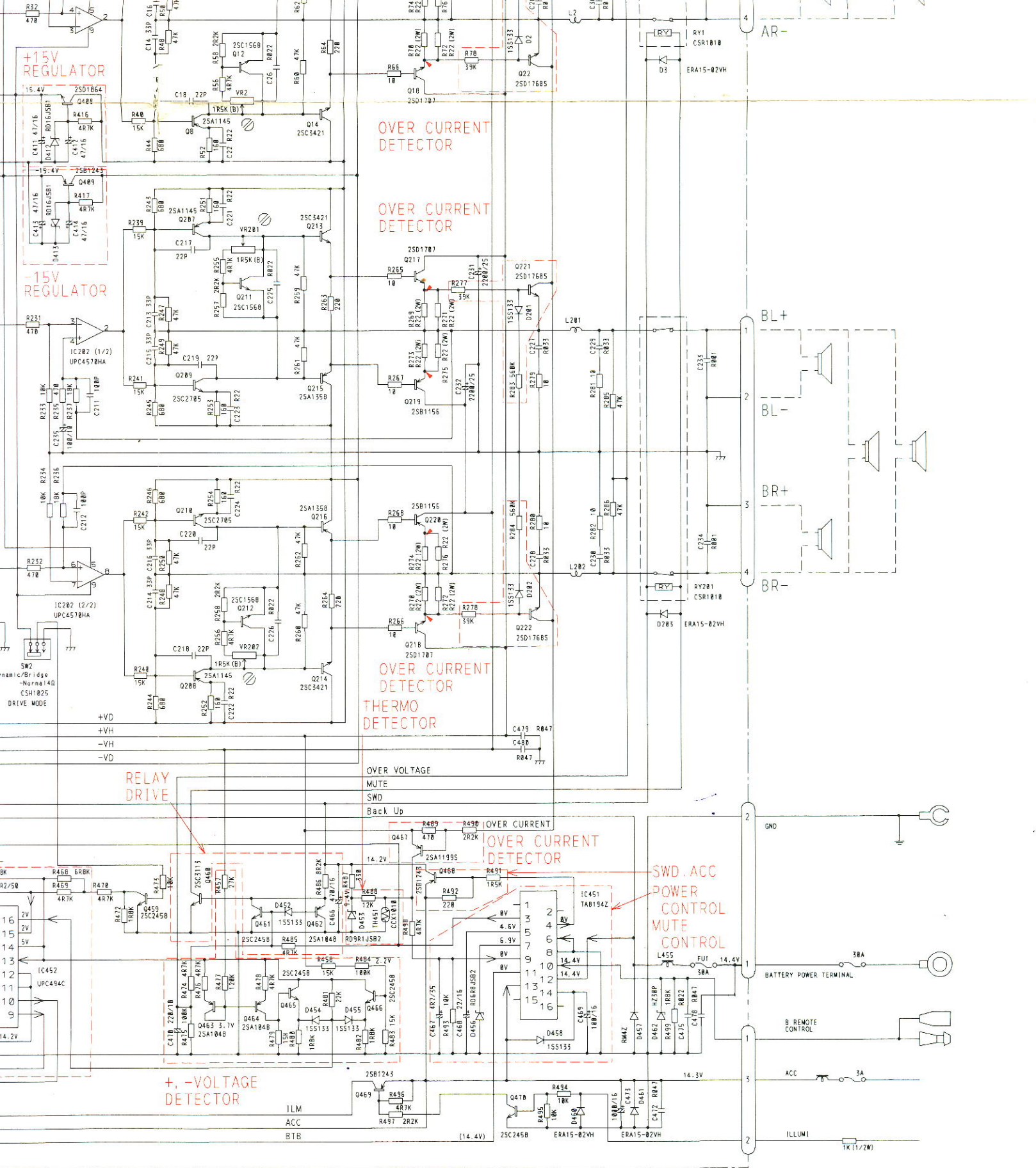
P UNIT



4ch 2ch 3ch

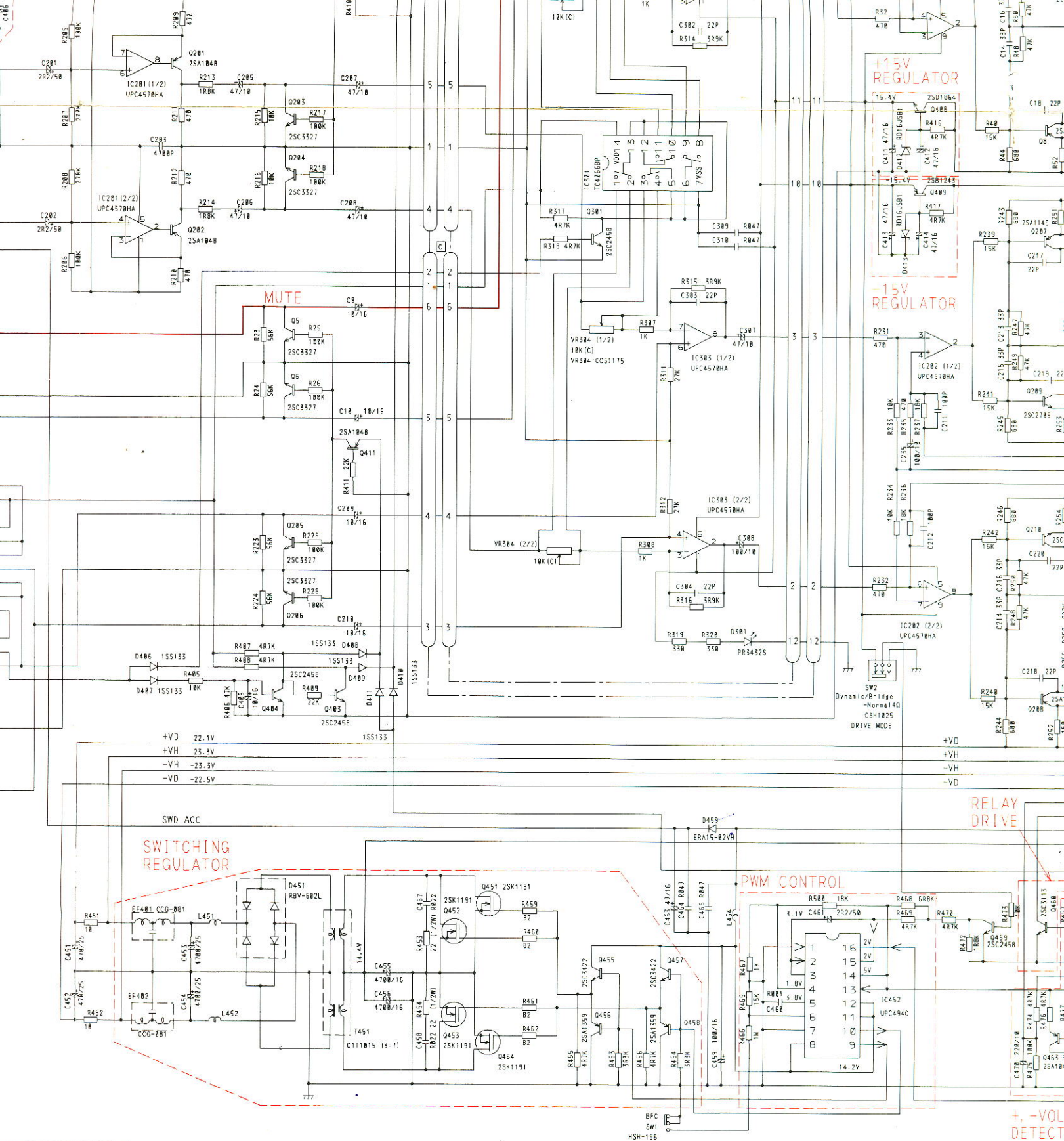
OVER CURRENT DETECTOR

SWD ACC



Decimal points for resistor and capacitor fixed values are expressed as: .2-2R2, .022-R022

SWITCHES:
 AMP UNIT
 SW1: BFC SWITCH LOW-HIGH
 SW2: DRIVE MODE SWITCH Dynamic/Bridge-Normal 4Ω
 The underlined indicates the switch position.



NOTE:

- Symbol indicates a resistor.
No differentiation is made between chip resistors and discrete resistors.
- |— Symbol indicates a capacitor.
No differentiation is made between chip capacitors and discrete capacitors.

Decimal points for resistor and capacitor fixed values are expressed as
2.2→R2
0.022→R022

SV
AN
S
S
Th

IN PUT B

IN PUT A

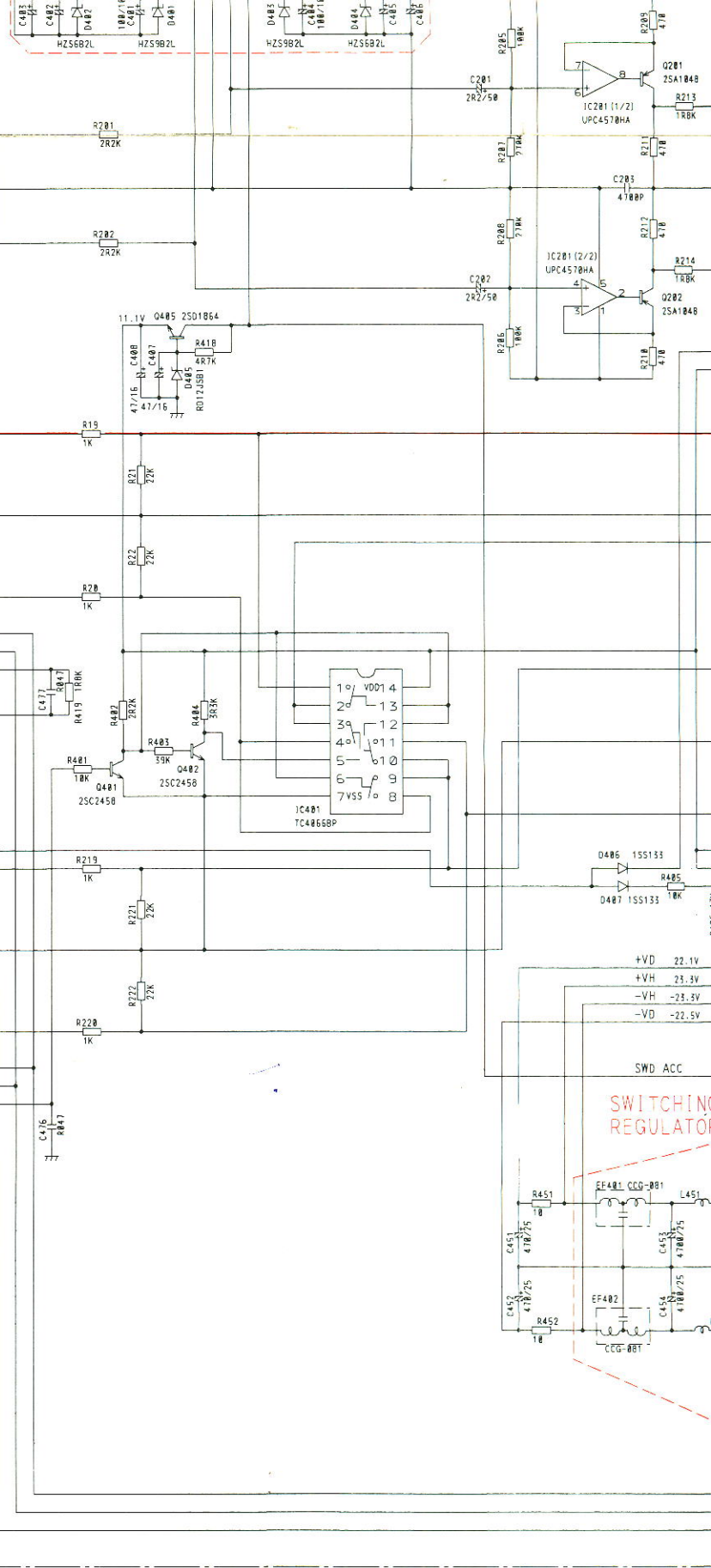
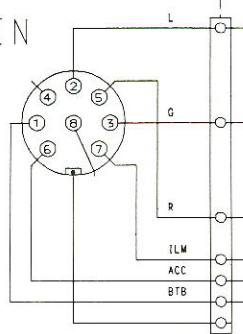
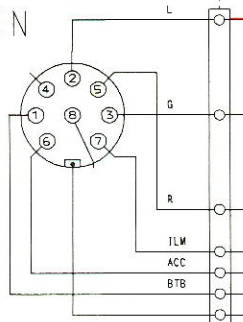
IN PUT B

RCA L

RCA R

DIN

DIN



SWD ACC SWITCHING REGULATOR

+VD 22.1V
 +VH 23.5V
 -VH -23.5V
 -VD -22.5V

8. ADJUSTMENT

● Connection Diagram

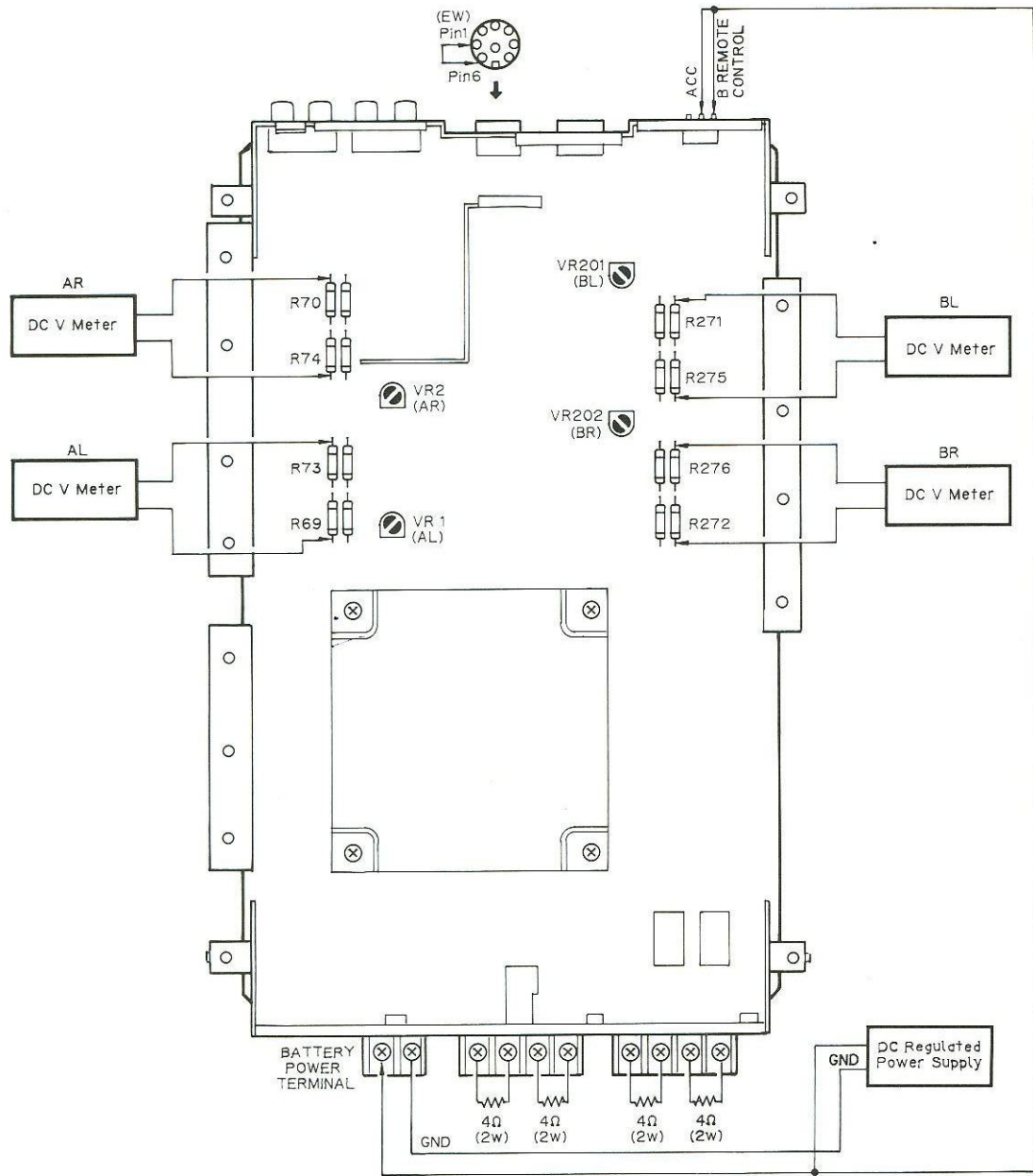


Fig. 5

8.1 IDLE CURRENT ADJUSTMENT

No.	Adjusting Point	Adjustment Method (Switch Position)
1		Rotate VR1, VR2, VR201 and VR202 counterclockwise. Turn the power on, and wait about 10 minutes.
2	VR1 (AL) VR2 (AR) VR201 (BL) VR202 (BR)	DC V Meter: $1.0\text{mV} + 2.3\text{mV}$ $- 0.34\text{mV}$ (DRIVE MODE SELECT SWITCH : 4ΩGM-3400/EW)